

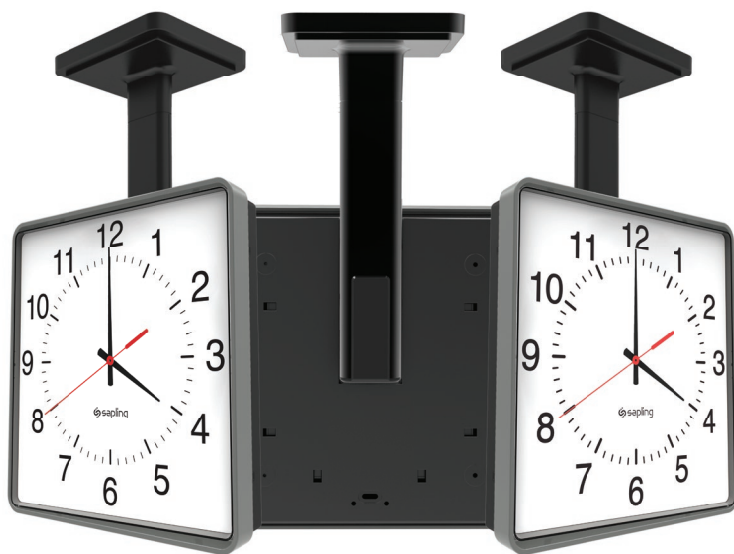
## Flag Mount Pole for Square & Digital Clocks (V1.5)

### Features:

- Provides an alternative setup option for a single square analog clock or digital clock
- Multiple mounting options for standard pole
- Short pole is ceiling mount only
- Reinforced aluminum material
- UL, cUL listed

### Dimensions:

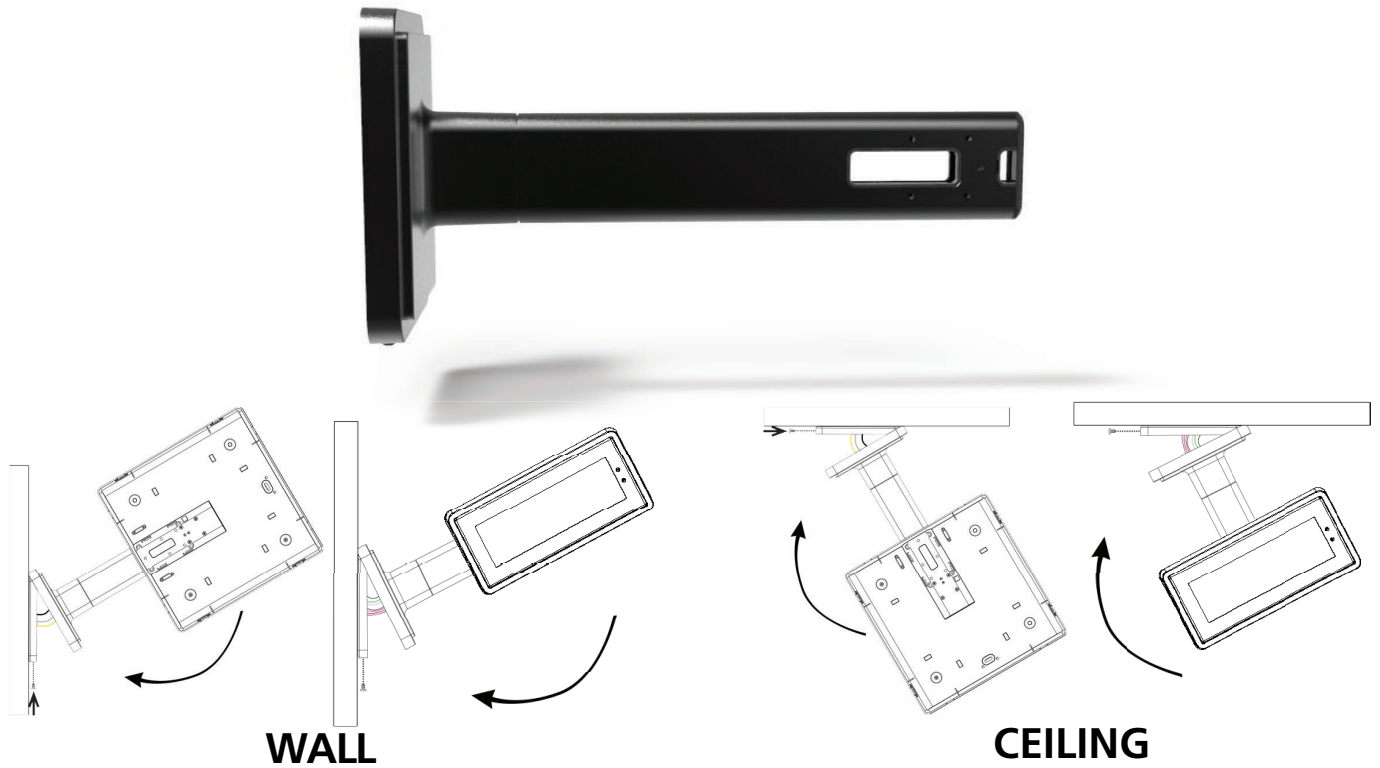
- Base Width = 5.7" (14.5 cm)
- Base Height = 6.6" (16.7 cm)
- Standard Pole Length = 13.7" (34.8 cm)
- Short Pole Length = 7.75" (19.7 cm)



(All specifications subject to change without notice.)

# Flag Mount Pole for Square & Digital Clocks (V1.5)

Design:



## Ordering Information:

Flag Mount Pole: SAB-XXD-XXS-0

|            |            |                          |
|------------|------------|--------------------------|
| Material:  | Color:     | Pole Size:               |
| 1: Metal → | B: Black → | 00: Standard             |
| <b>OR</b>  |            |                          |
| 4: ABS →   | G: Gray →  | 01: Short (ceiling only) |

**Note:** Purchasing a flag mounted square analog or digital clock requires one clock and one flag mount pole using the part number above.

Examples:

SAB-1BD-00S-0: Sapling Flag Mount Pole, Metal, Black, Standard Length

SAB-4GD-01S-0: Sapling Flag Mount Pole, ABS, Gray, Short Length

(All specifications subject to change without notice.)

