



ThreeSixty®

TQSE9W

Surface Mount Enclosure for TQCK1/S Series Speaker Baffle

The TQSE9W is a 2-3/4" deep, Surface mount, steel backbox for the ThreeSixty TQCK1/S clock baffle assembly (supplied separately). White powder coat finish.

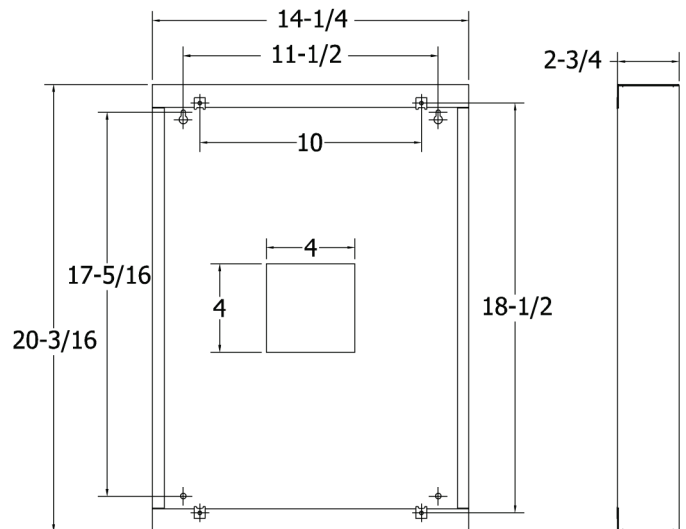


INTENDED USE - Indoor Environment

Surface Mount Installation | Horizontal or Vertical Alignment

AUDIO SPECIFICATIONS

Clock Baffle Attachment	4X #8-32 Tinnerman Clips
Access to Surface	2X #10 Keyhole Slots 2X #10 holes
Electrical Access	4" x 4" in Center of Enclosure



(All specifications subject to change without notice.)



541 Laser Rd NE Rio Rancho, NM 87124 | www.threesixty.tech
505.898.7230 | Toll free 800.326.8911